

HART™



Ladder Toss

[@knapptimecrafts](https://www.instagram.com/knapptimecrafts)

PROJECT PLAN

Finished Dimensions: 36" T x 24" W x 24" D

Skill Level: Beginner

Materials

Item	Qty
2" x 3" x 8' Select Framing Stud	4
2" Wood Screws	1 box
5/8 Dowels	3
Wood glue	1 bottle
Stain	1 pint
Rag	2
Sandpaper: 180g, 220g	1 pack

Tools Used



Circular Saw



Drill / Driver



Impact Driver



Orbital Sander



PH2 Drill Bit



5/8" Spade Bit



Clamps



Tape Measure



Carpenter's Pencil



Safety Glasses

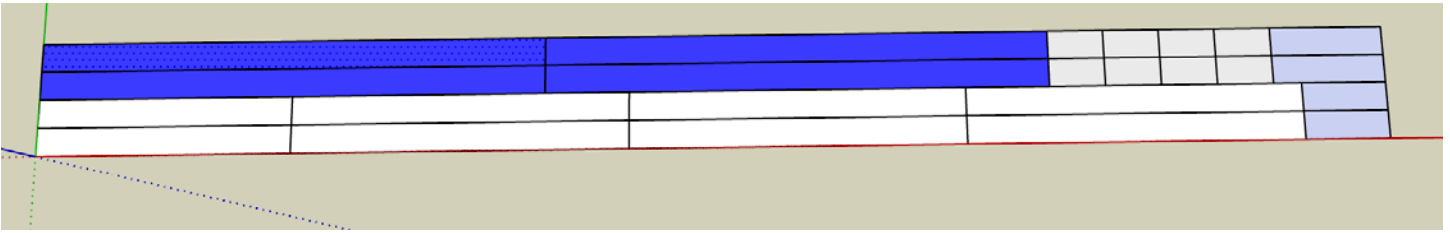
Battery Tip: A 4.0Ah battery is recommended to be paired with high amp draw tools for maximum efficiency.

Lumber Cut List

Board*	Description	Cut To	Qty
36" cut of the 2x3	A - BLUE	36" L	4
24" Cuts from 2x3	B - WHITE	24" L	8
Bocks to support the Standing ladder portion	C - GRAY	4" L	8
Dowels	D	24" L	6

* Board dimensions are "nominal." Actual dimensions are smaller due to lumber industry standards. Cuts are actual length.

Lumber Layout Guide



Assembly Instructions

Step 1

Cut all pieces to cut list.

Pro Tip: If you don't have a finishing blade for the circular saw. Apply painters over the area you plain to cut. This will prevent tear out.

Step 2

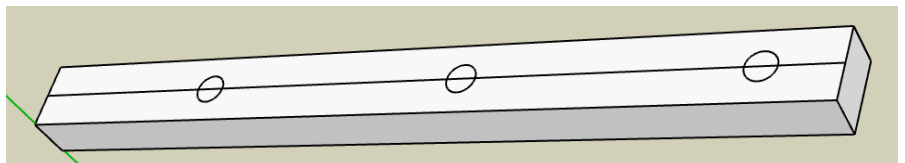
Once pieces are all cut to size. We will now take Board A and create the holes for the dowels. Find the center point of the pieces. Once that is found measure and mark 6", 1' mark, and 1' mark. This will be where we drill hows for the dowels.

Step 3

Secure the board down. Once those are marked using the 5/8" Spade bit drill in each cross section. Drilling down about 1/2".

Step 4

While we still have this secured. Using a drill bit predrill pilot holes for the screws to drill through. (We will be securing the dowels with screw.)

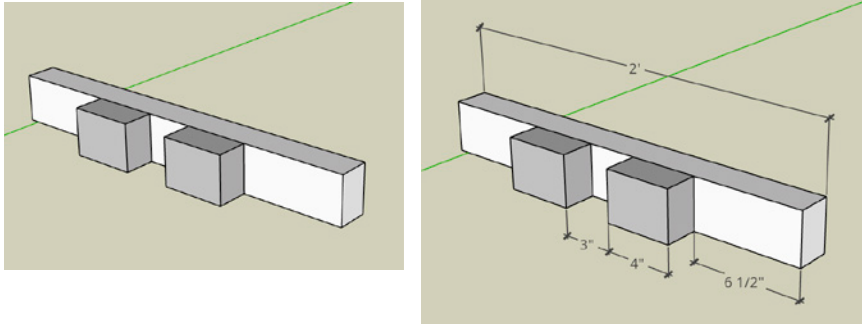


Step 5

Since we finished all the cuts now its time to sand everything.

Step 6

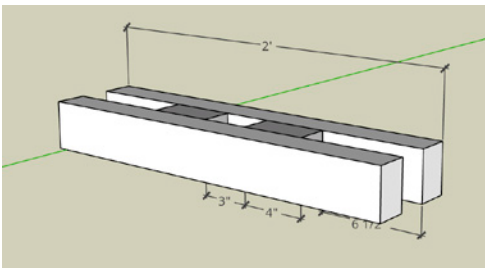
Now it's time to assemble. Starting with the base grab Boards B & C. Center board A to the middle of Board B. Place two of board C on either side. And secure with screws.



Step 7

Remove Board A, and grab the second piece of Board B and secure together. I drilled straight through each board.

Pro Tip: To keep boards from moving use clamps to hold together while securing

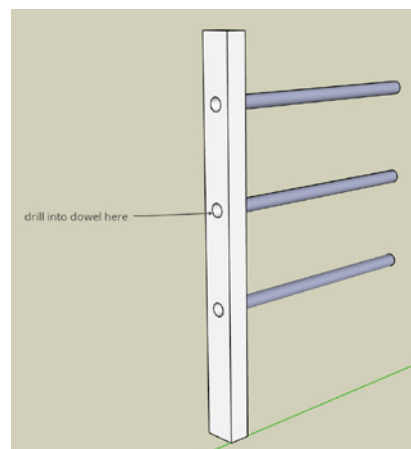


Step 8

Repeat Steps 6-7 until you have 4 bases.

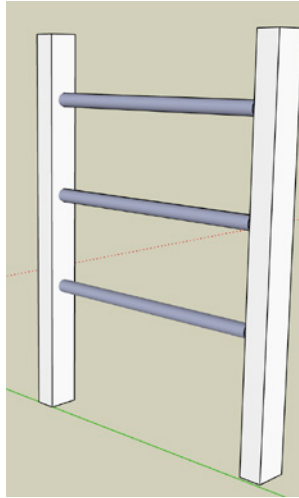
Step 9

Now to build the ladder portion. Take three Dowels (Board D) and 2 of Board A. Insert Dowel into one side. Using the drill and bit drill through the Pilot holes we made earlier and drill into the dowel creating another pilot hole. Then screw in the dowel.



Step 10

Repeat step 9 till all dowels are secure into Board A.
Creating a ladder look.



Step 11

Add desired stain and allow to dry completely.

Step 12

You're finished!! Now add a bow and give it to someone the Father in your life!