

HART™



DIY PUPVILLIAN DOG HOUSE

@plankoswoodworking

PROJECT PLAN

Skill Level: Intermediate

Materials

Item	Qty
2x4 @8'	5
1x6 @8'	2
¾" Sheet of Plywood	1
Right Angle Strong Ties	4
Asphalt Shingles	1 pack (33 sqft)
#9 1 ½" Strong Tie Screws	1lb box
#8 2 ½" Wood Screws	1lb box
Wood Glue	n/a
¾" Roofing Screws	1lb box
(Optional) Brad/Finish Nails	n/a

Tools Used



Miter Saw



Circular Saw



Orbit Sander



Tape Measure



Drill



Driver

Also Needed: HART™ Air Compressor (optional), Combination/Speed Square, Pencil, Clamps, Pneumatic Brad or Finish Nail Gun (optional)



Battery Tip: A 4.0 Ah battery is recommended to be paired with high amp draw tools for maximum efficiency.

Lumber Cut List

Description	Board*	Cut to	Qty
Front/Back Base Frame	2x4	22"	(2)
Left/Right Base Frame	2x4	33"	(2)
Posts	2x4	28 1/4"	(4)
Bottom Of Roof Structure	2x4	25"	(2)
Vertical Member of Roof Structure	2x4	11 3/4"	(2)
Sloped Members of Roof Structure	2x4	16 5/8"	(4)
Angled Brace of Roof Sctructure	2x4	6 13/16"	(4)
Roof Brace	2x4	29"	(1)
Base	3/4" plywood	36"x22"	(1)
Roof Base (Short Side)	3/4" plywood	38"x20 1/4"	(1)
Roof Base (Long Side)	3/4" plywood	38"x 21"	(1)

*Quantities will vary based on desired size for Dog House. Listed quantities are for the final dimensions of my dog house. I have a small 10lb dog for a frame of reference.

Assembly Instructions

Step 1

Cut (4) 2x4's to length to create the frame for your dog house base. Assemble to base with wood glue and screws or finish nails. See last page for illustration.

Step 2

Measure and cut plywood panel to match the dimensions of the base frame you just created. Secure it the frame with wood glue and screws or finish nails. See last page for illustration.

Step 3

Cut (4) 2x4's to equal lengths to be used as posts for the dog house. Attach them to each of the 4 corners of the base. See last page for illustration.

Step 4

Now Cut (2) Roof Frames as shown and attach each of them to two posts along the short side of the base using strong ties and screws. Brace the roofing structure with a 2x4 bewtween the (2) Roof frames you just created. See last page for illustration.

Step 5

Cut (2) plywood panels so that they will over hang the roof framing we just assembled in the previous step. One panel will be $\frac{3}{4}$ " taller since it goes over the midline of the roof structure. Join them at a 90 degree angle using glue and finish nails to create the base roof layer.

Step 6

Attach base roof layer to roof frame using wood glue and screws or finish nails. Make sure you have an even over hang on both sides and front and back. See last page for illustration.

Step 7

Now start to attach roofing shingles to the roof base layer using roofing nails. Start at the bottom of the plywood panels and work your way across. Once you have a full row, start the next row by staggering the shingles and overlapping your first row to the middle line of the singles. Work your way up till you reach the top of each side.

Step 8

Cut individual shingles to lay across the peak of the roof, overlapping the same way as in the previous step. Attach each shingle using a roofing nail on both sides of the peak. See last page for illustration.

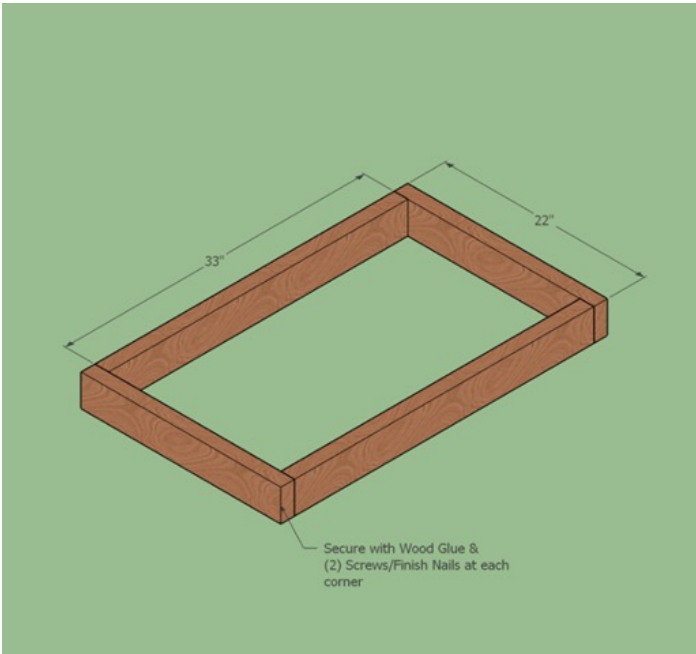
Step 9

Create slats from your 1x6 boards cutting them to length to match the dimension of your dog house base. Attach the slats to the posts using screws or nails, and space them out as you see fit. See last page for illustration.

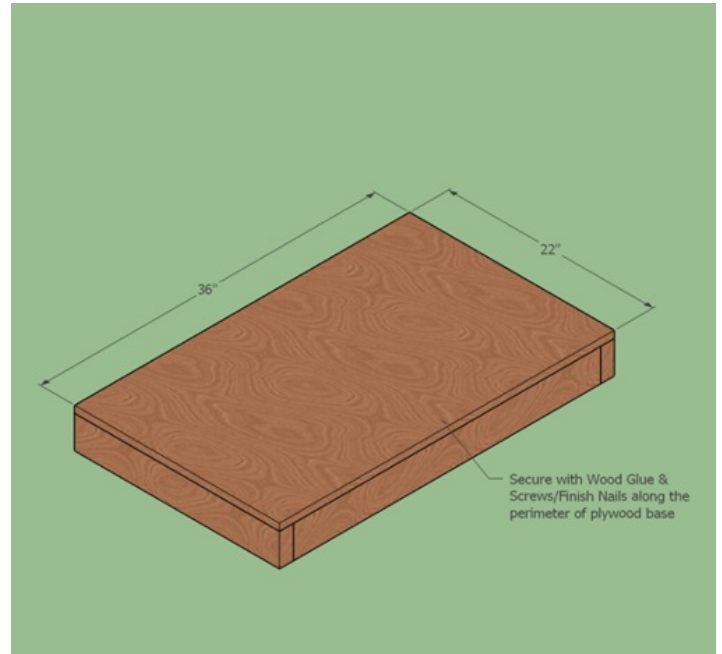
Step 10

Apply an exterior finish to the exposed wood (deck stain or exterior paint are great options) and your pup is ready for his new house!

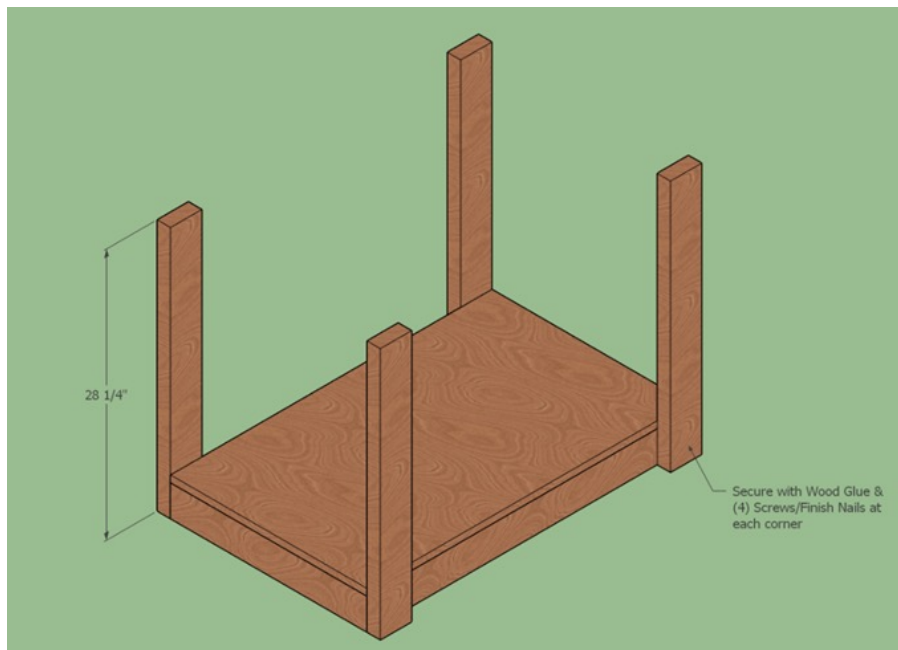
Step 1:

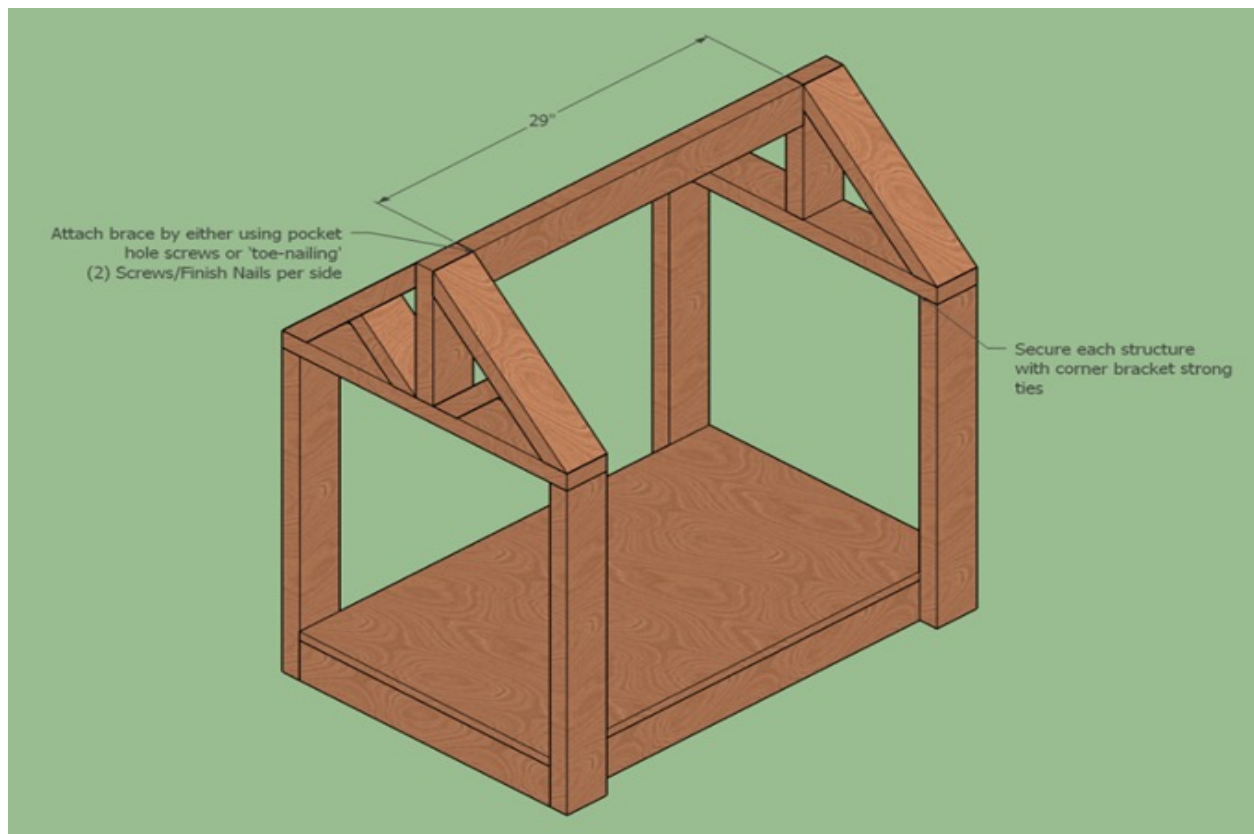
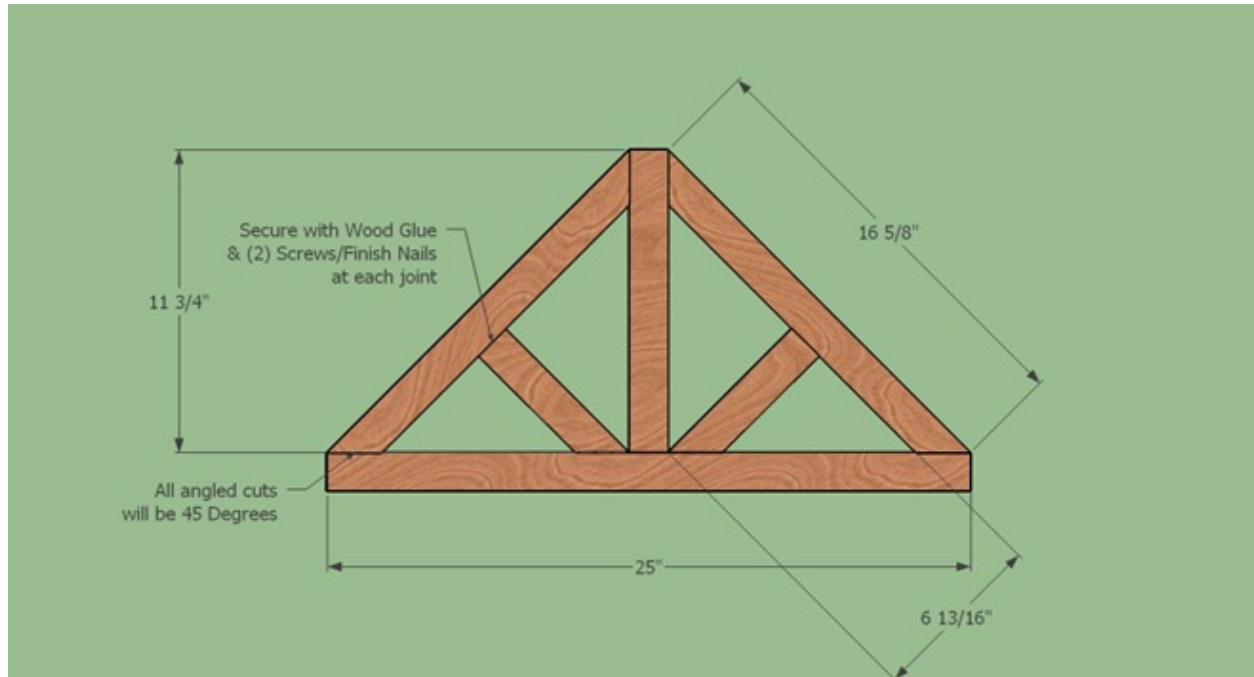


Step 2:

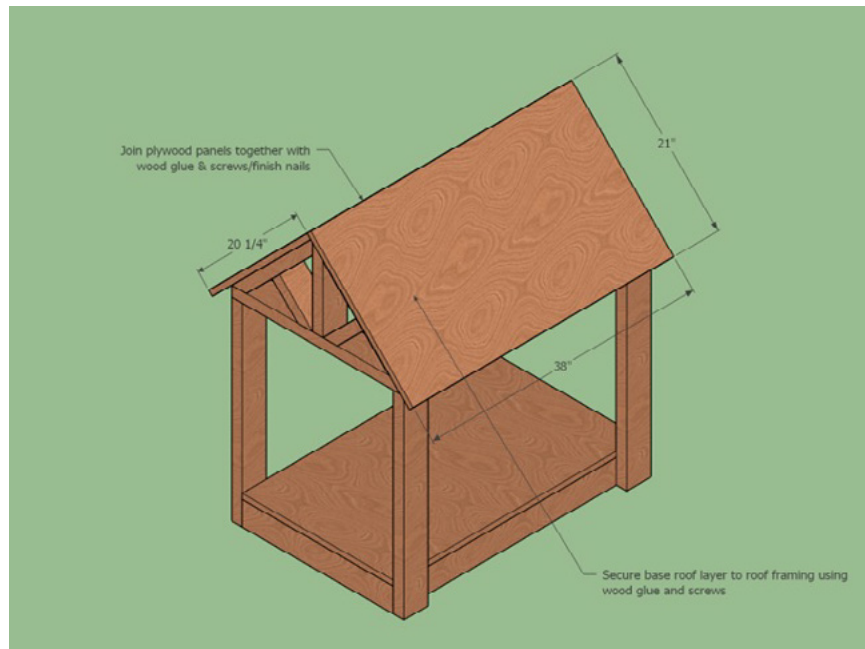


Step 3:

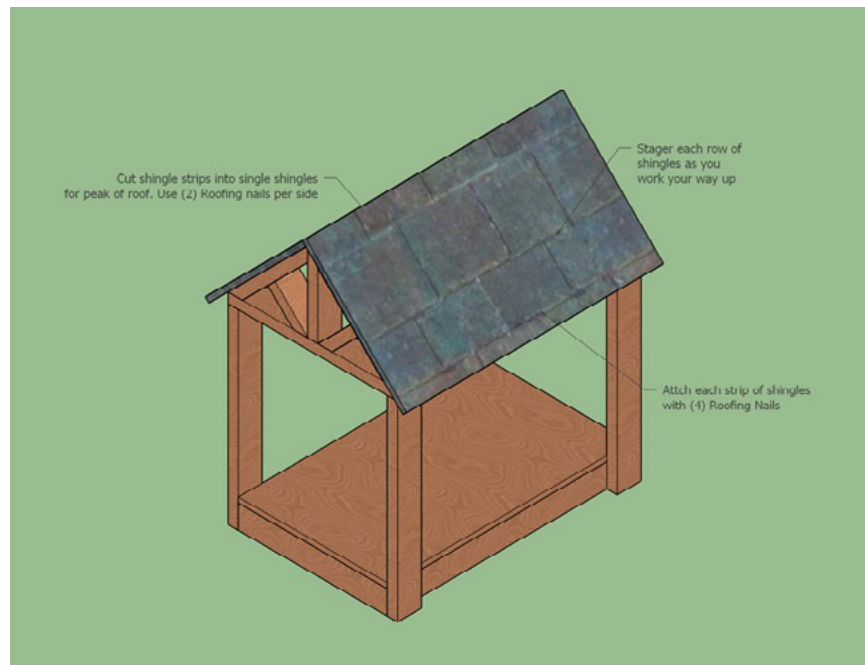


Step 4:

Step 6:



Step 8:



Step 9: